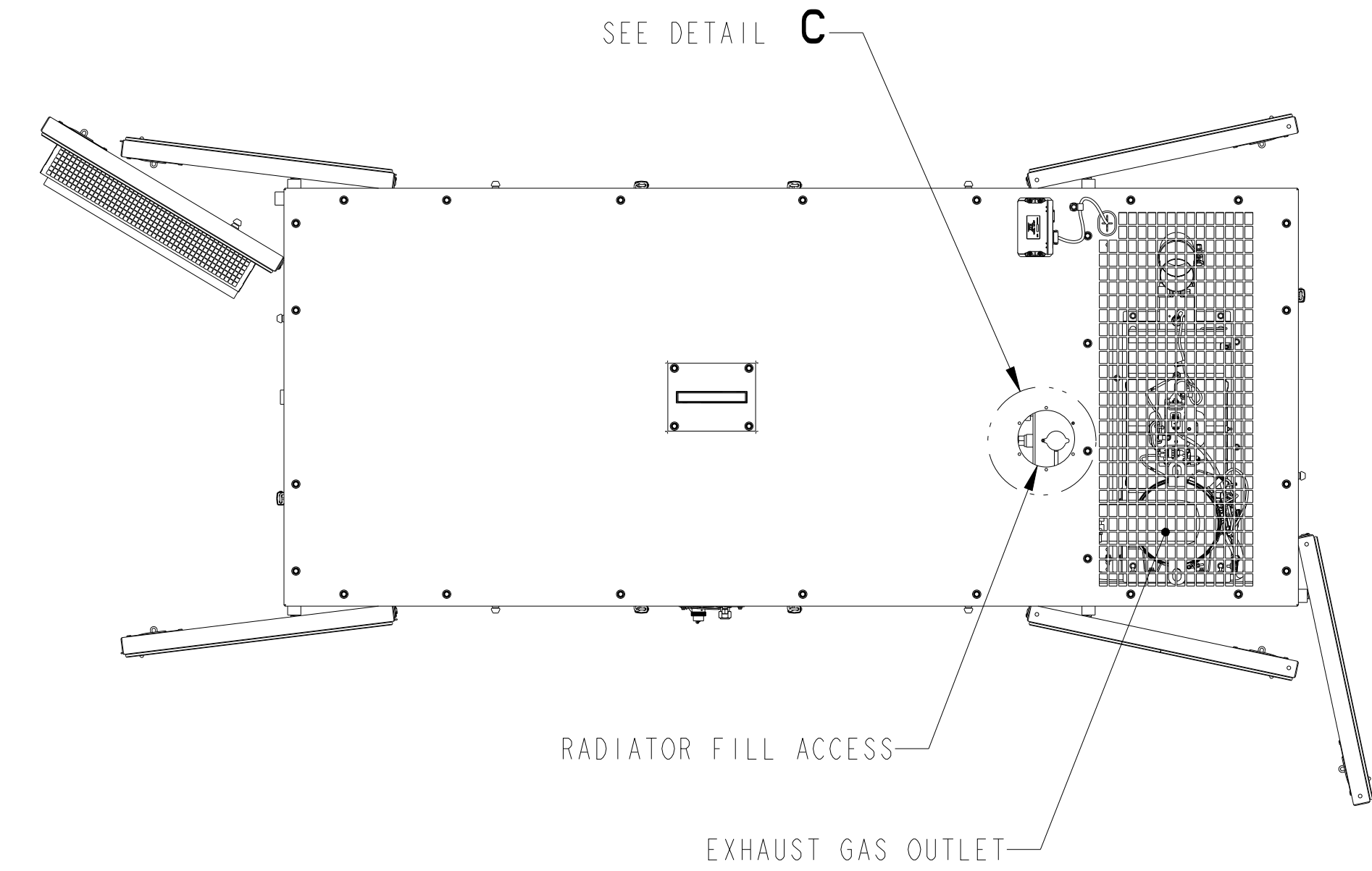
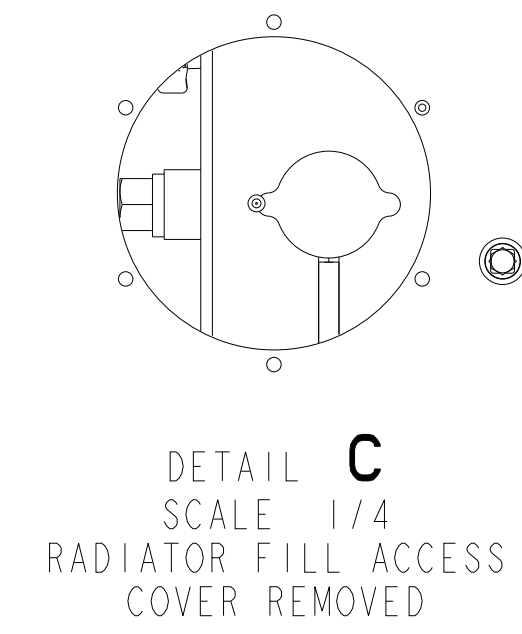


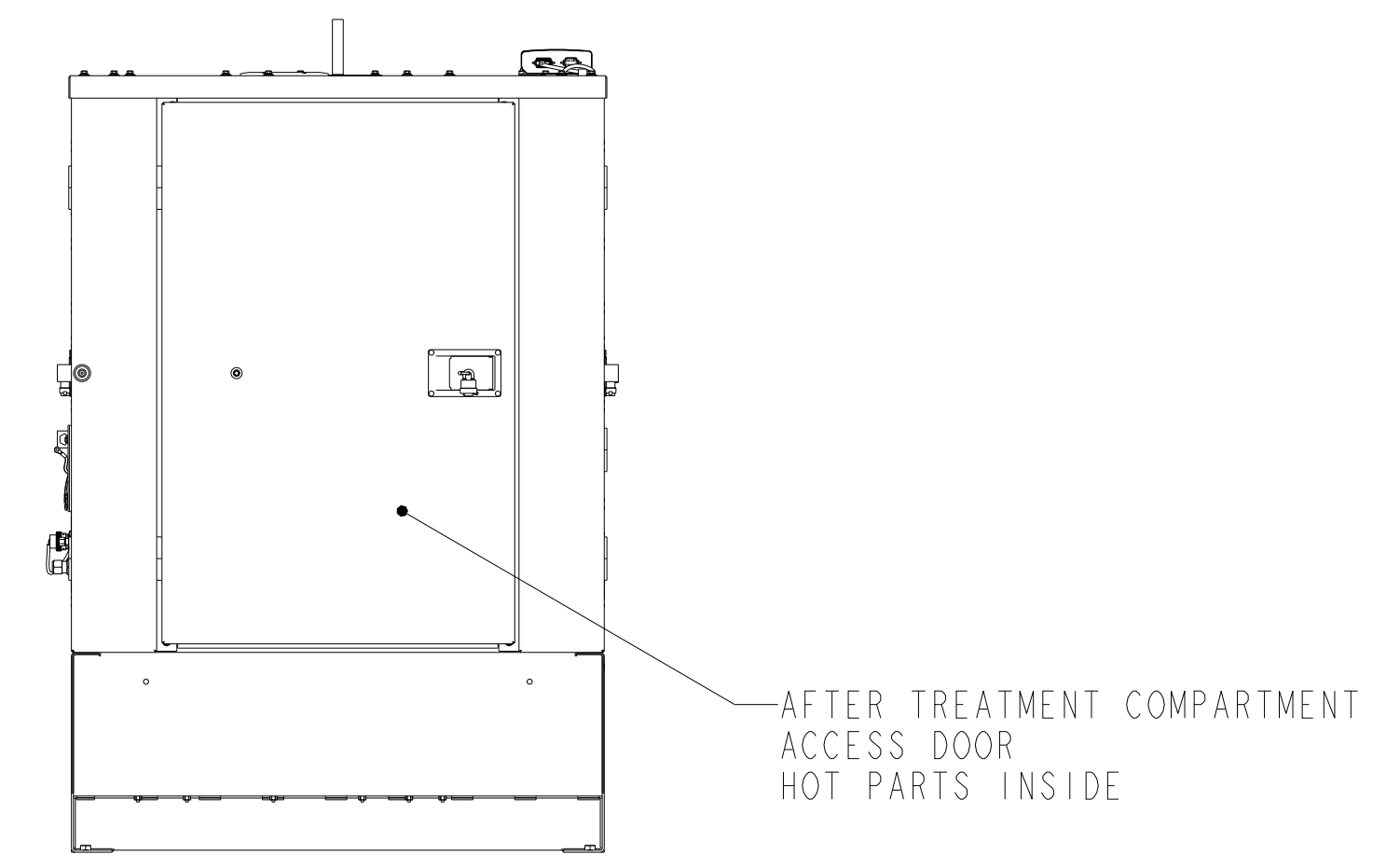
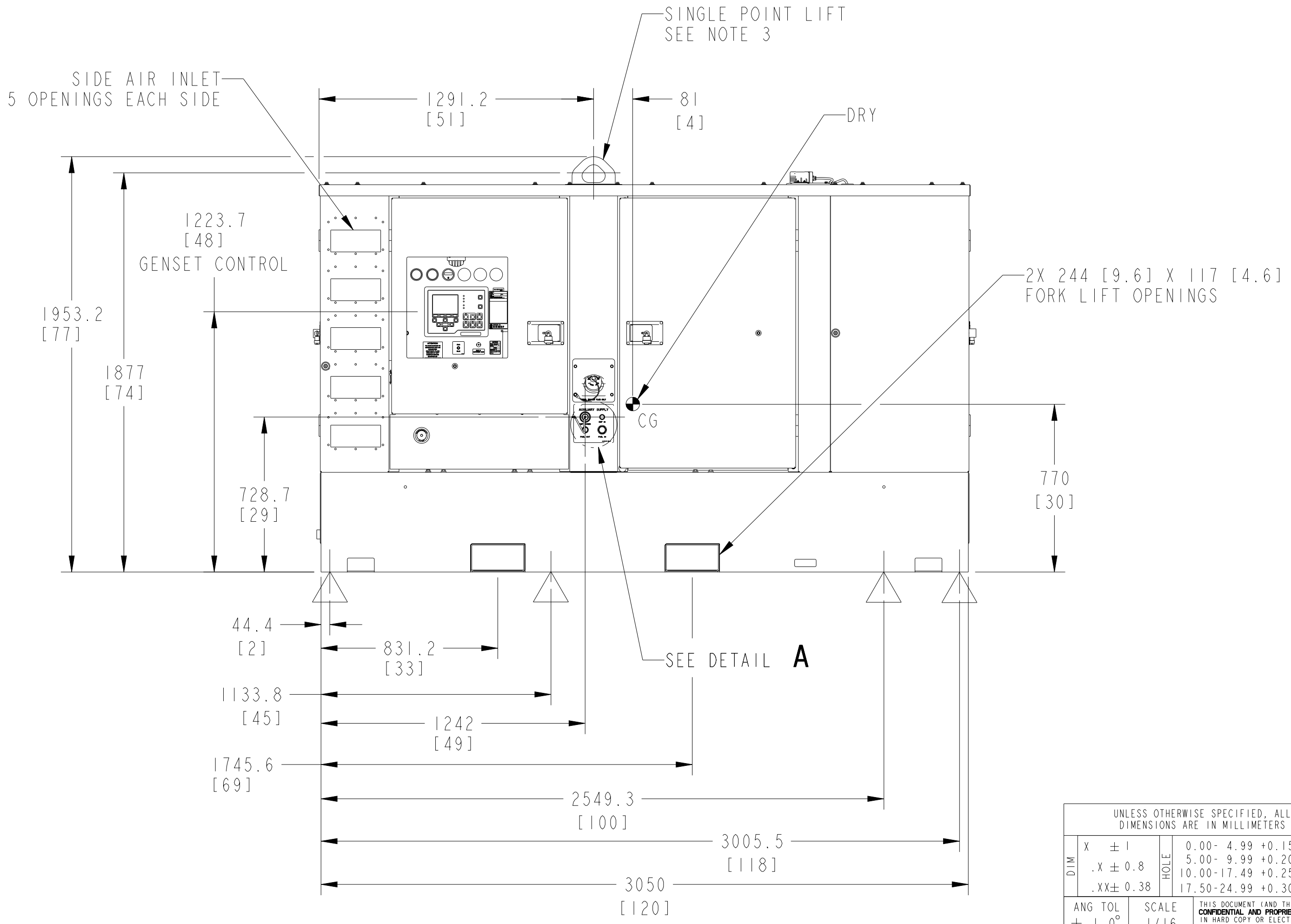
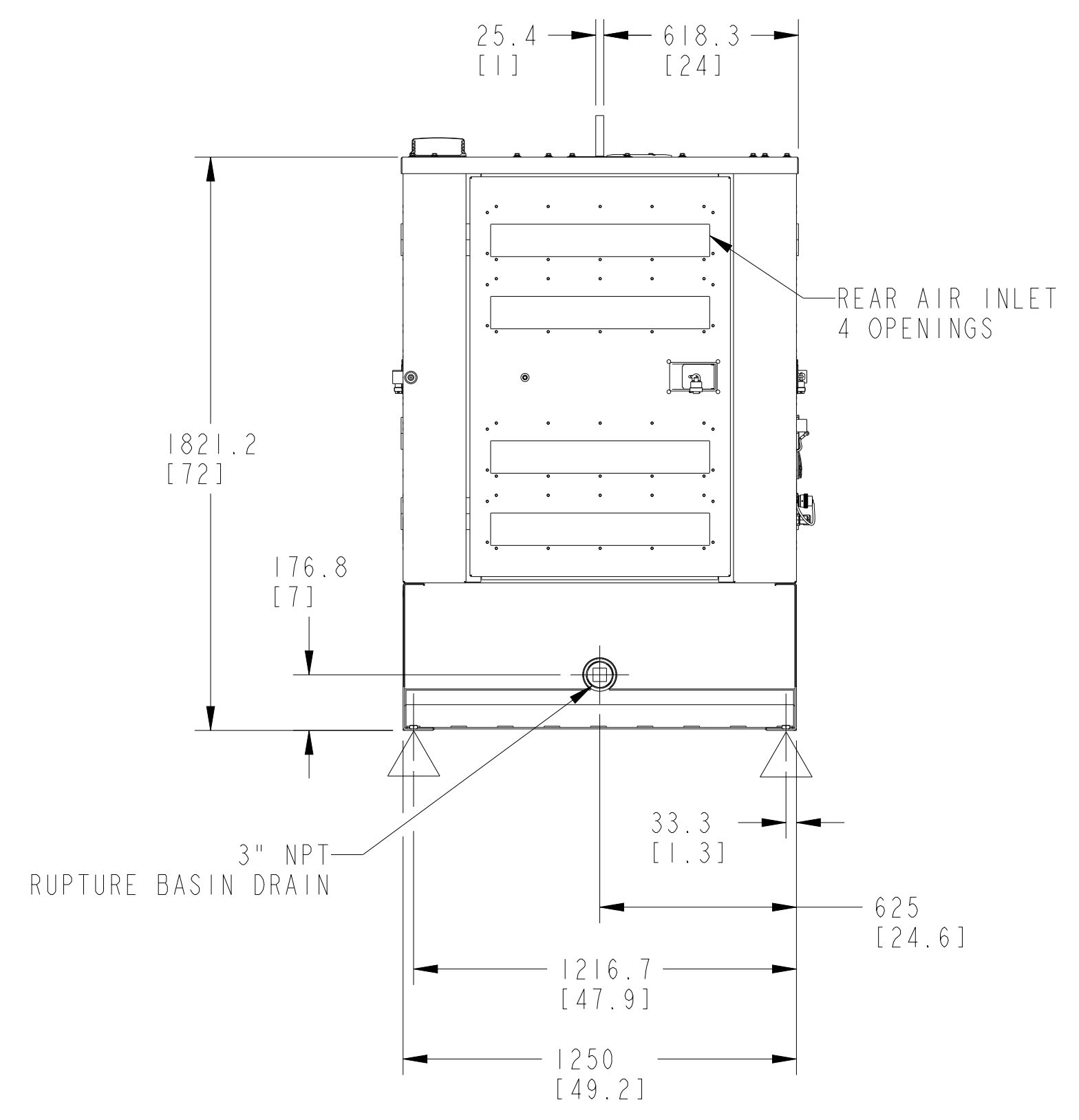
REL NO	REV NO	REVISION	DWN	CKD	APVD	DATE
ECO-180946	C	1	DMC	TLD	J_KRUSE	23OCT18
		2	DMC	TLD	J_KRUSE	23OCT18
		3	DMC	TLD	J_KRUSE	23OCT18
		4	DMC	TLD	J_KRUSE	23OCT18
		5	DMC	TLD	J_KRUSE	23OCT18

NOTES:

1. DIMENSIONS SHOWN IN [] ARE INCHES.
2. M16 X 2 THREADED HOLES MARKED BY \triangle ARE PROVISIONS FOR SECURING TO A MOUNTING SURFACE.
3. SINGLE POINT LIFT WILL ACCOMMODATE A $\varnothing 76.2$ [3] LIFTING DEVICE.
4. FLUID CAPACITIES:
ENGINE OIL: 10.97 LITERS (11.6 QUARTS)
COOLANT: 32 LITERS (8.5 GALLONS)
FUEL TANK: 534 LITERS (141 GALLONS)
5. EXHAUST OUTLET DIAMETER: 101.6 [4]



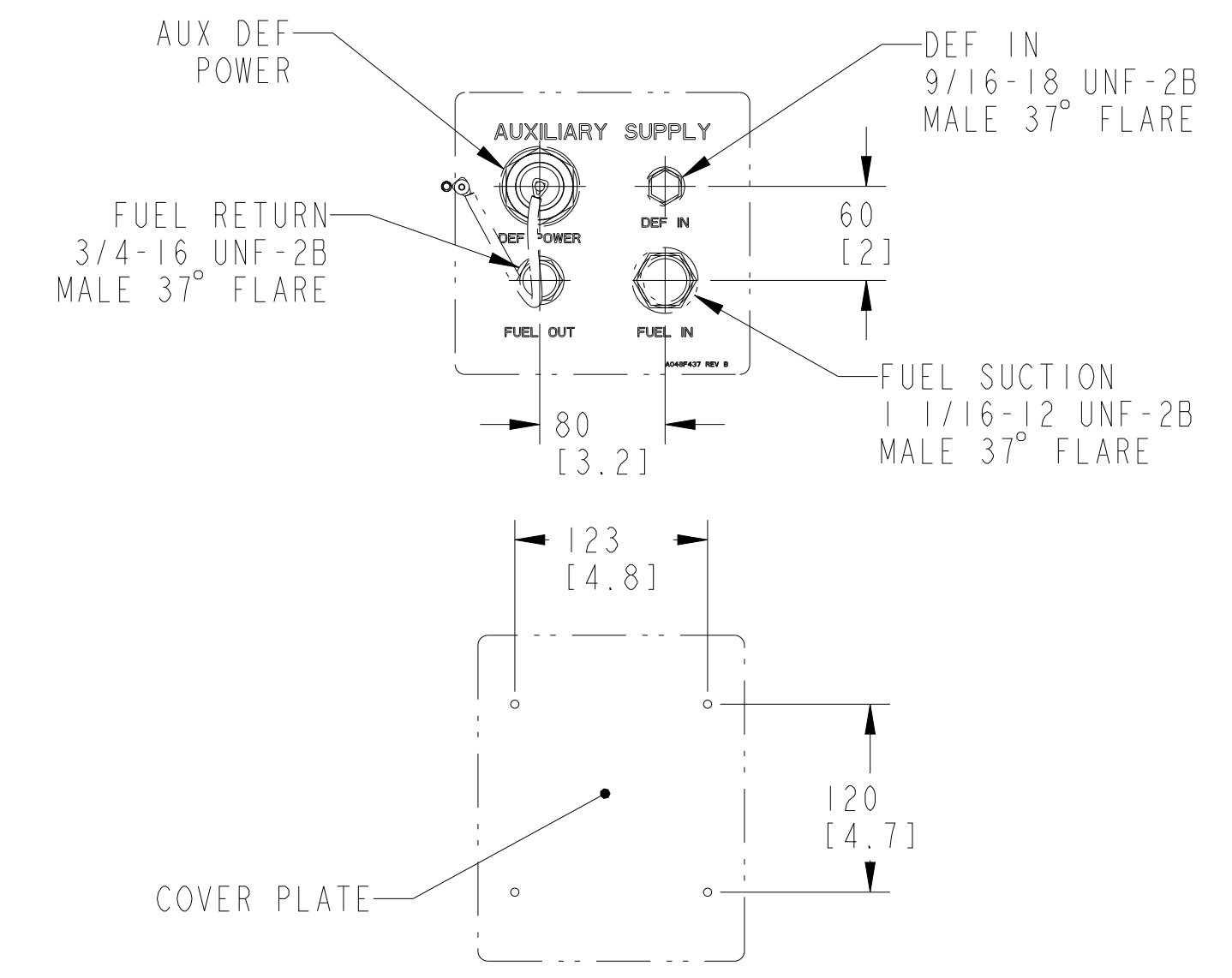
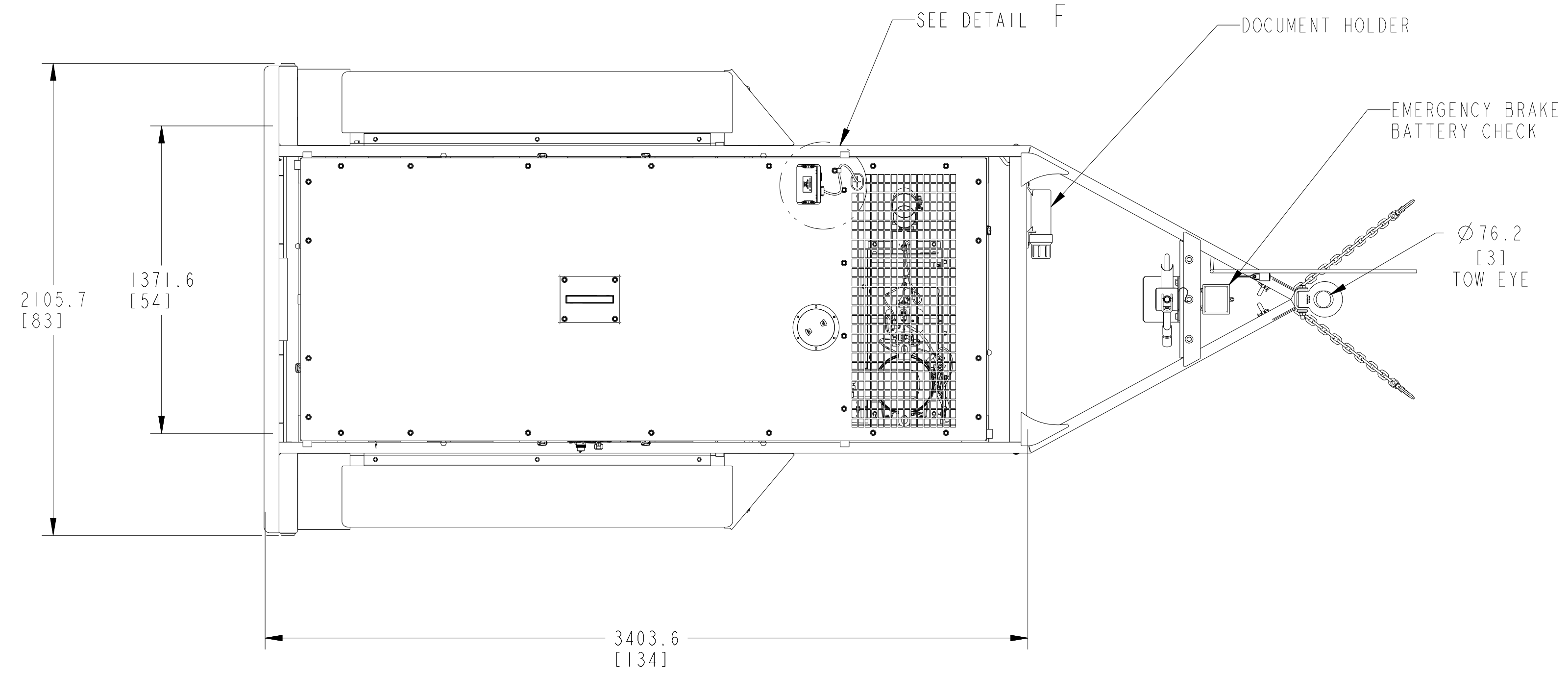
GENSET MASS		SKID MOUNTED	TRAILER MOUNTED	TONGUE WEIGHT
C100 & C70 FULL FEATURED	WITH FUEL	2976 KG [6560 LBS]	3674 KG [8100 LBS]	295 KG [650 LBS]
	WITHOUT FUEL	2522 KG [5560 LBS]	3221 KG [7100 LBS]	286 KG [630 LBS]
C100 & C70 600V FULL FEATURED	WITH FUEL	2976 KG [6560 LBS]	3674 KG [8100 LBS]	338 KG [745 LBS]
	WITHOUT FUEL	2522 KG [5560 LBS]	3221 KG [7100 LBS]	331 KG [730 LBS]



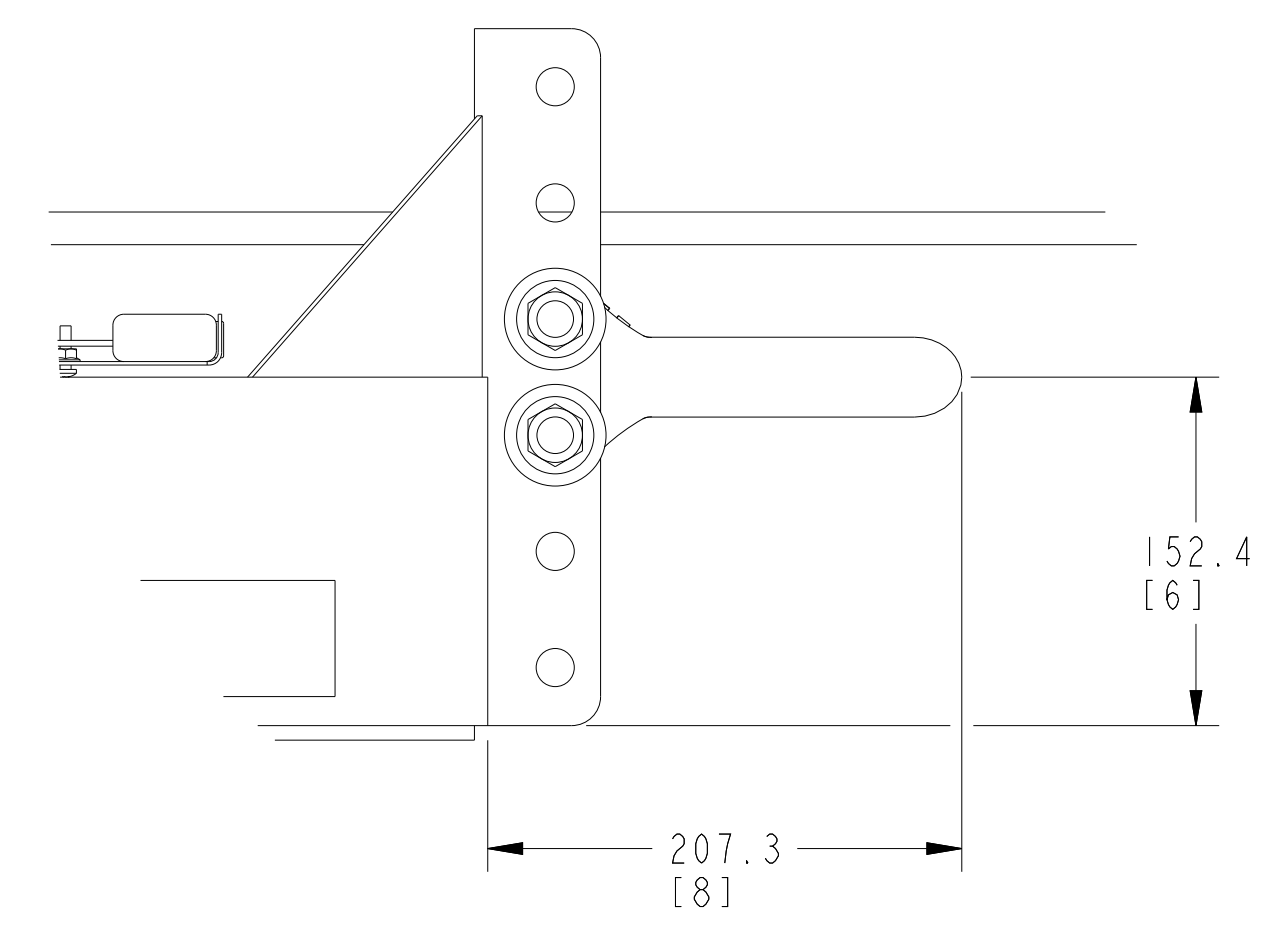
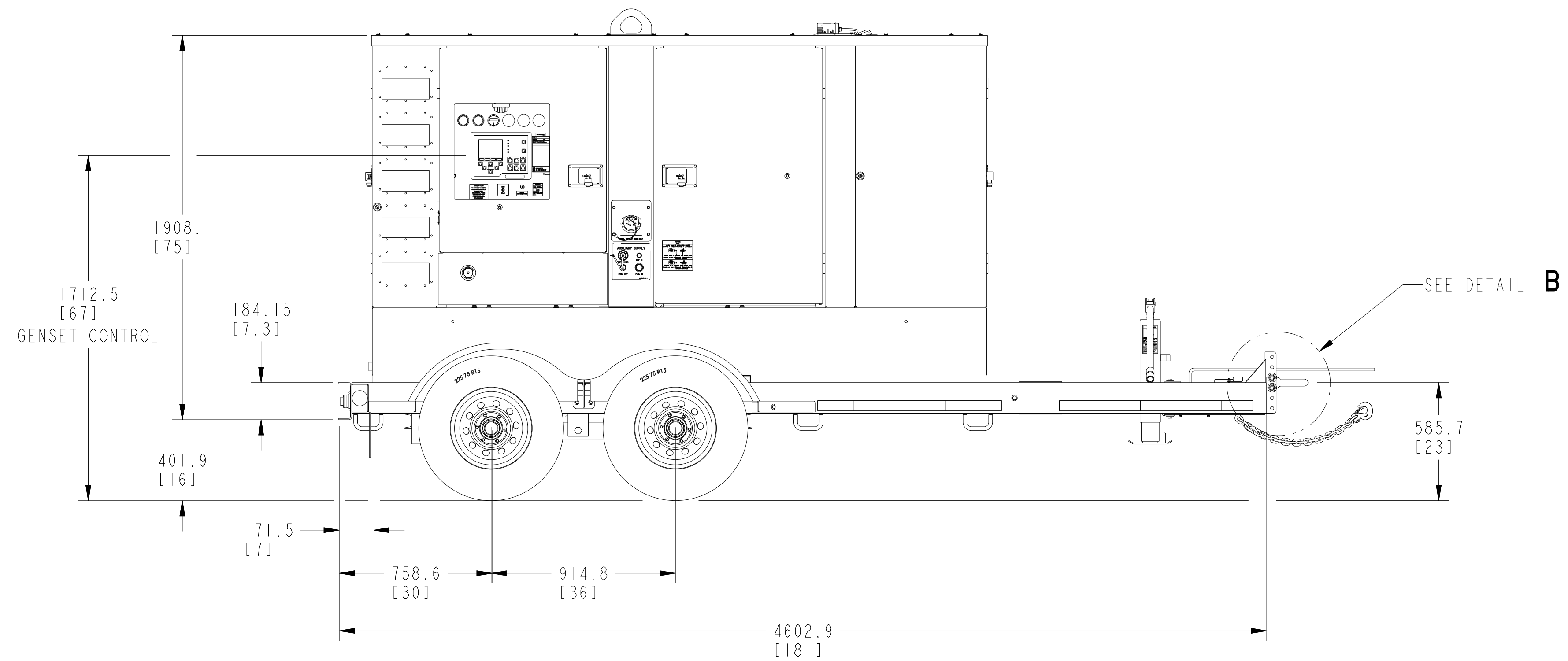
SKID MOUNTED GENSET (NO TRAILER)

UNLESS OTHERWISE SPECIFIED, ALL DIMENSIONS ARE IN MILLIMETERS		SIM TO		DWN Y_NICHT		CUMMINS POWER GENERATION	
DO NOT SCALE PRINT		M_KELL		N_BAPAT		OUTLINE, GENSET	
DATE 01AUG17		SITE CODE		FIRST USED ON C100D2RE		PGF D A058E446	
ANG TOL $\pm 1.0^\circ$		SCALE 1/16		THIS DOCUMENT (AND THE INFORMATION SHOWN THEREON) IS CONFIDENTIAL AND PROPRIETARY AND SHALL NOT BE DISCLOSED TO OTHERS IN ANY COPY OR ELECTRONIC FORM. REPRODUCED BY ANY MEANS, OR USED FOR ANY PURPOSE WITHOUT WRITTEN CONSENT OF CUMMINS INC.		CAD SHEET 1 of 4	

REL NO	REV	NO	REVISION	DWN	CKD	APVD	DATE
ECO-180946	C	-	DMC	MJK	J_KRUSE	23OCT18



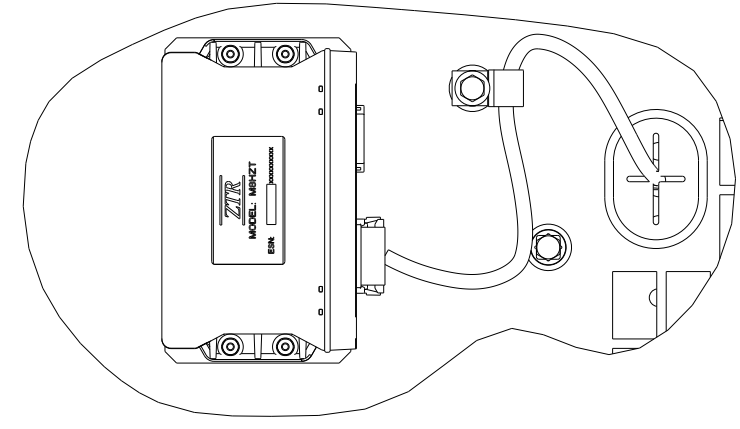
DETAIL A
SCALE 1/4
AUXILIARY FUEL CONNECTION (IF AVAILABLE)



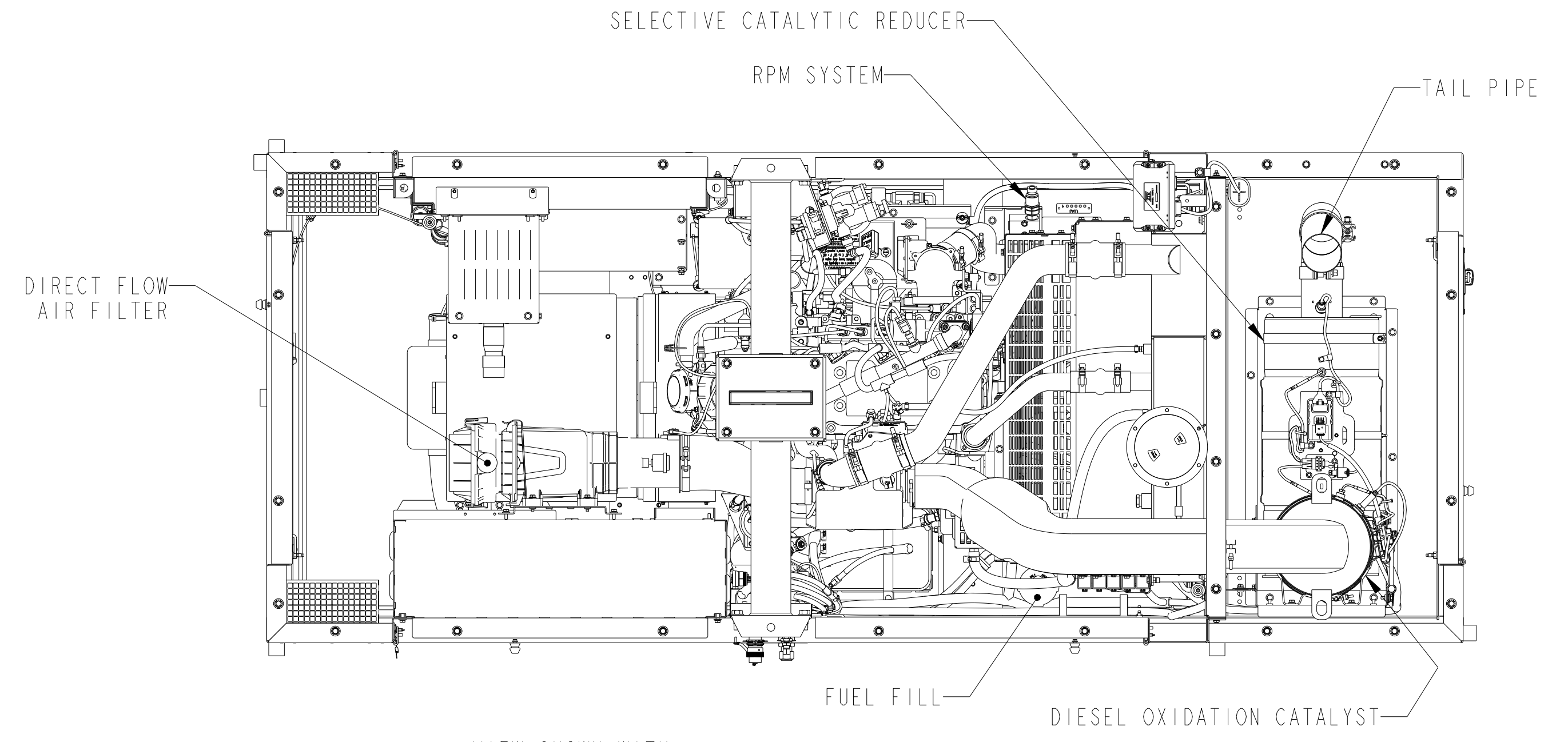
DETAIL B
SCALE 5/16

UNLESS OTHERWISE SPECIFIED, ALL DIMENSIONS ARE IN MILLIMETERS		SIM TO		DWN Y_NICHT			CUMMINS POWER GENERATION			
DO NOT SCALE PRINT				CKD M_KELL			OUTLINE, GENSET			
DIM	X ±1	0.00- 4.99 +0.15/-0.08		APVD N_BAPAT		SITE CODE	FIRST USED ON			
	.X ±0.8	5.00- 9.99 +0.20/-0.10		DATE 01AUG17			C100D2RE		DWG. SIZE	
	.XX ±0.38	10.00-17.49 +0.25/-0.13		PGF			D		A058E446	
		17.50-24.99 +0.30/-0.13		CAD SHEET			2 of 4			
ANG TOL	± 1.0°	SCALE 1/16	THIS DOCUMENT (AND THE INFORMATION SHOWN THEREON) IS CONFIDENTIAL AND PROPRIETARY AND SHALL NOT BE DISCLOSED TO OTHERS IN ANY COPY OR ELECTRONIC FORM. REPRODUCED BY ANY MEANS, OR USED FOR ANY PURPOSE WITHOUT WRITTEN CONSENT OF CUMMINS INC.		ASME Y14.5-2009					

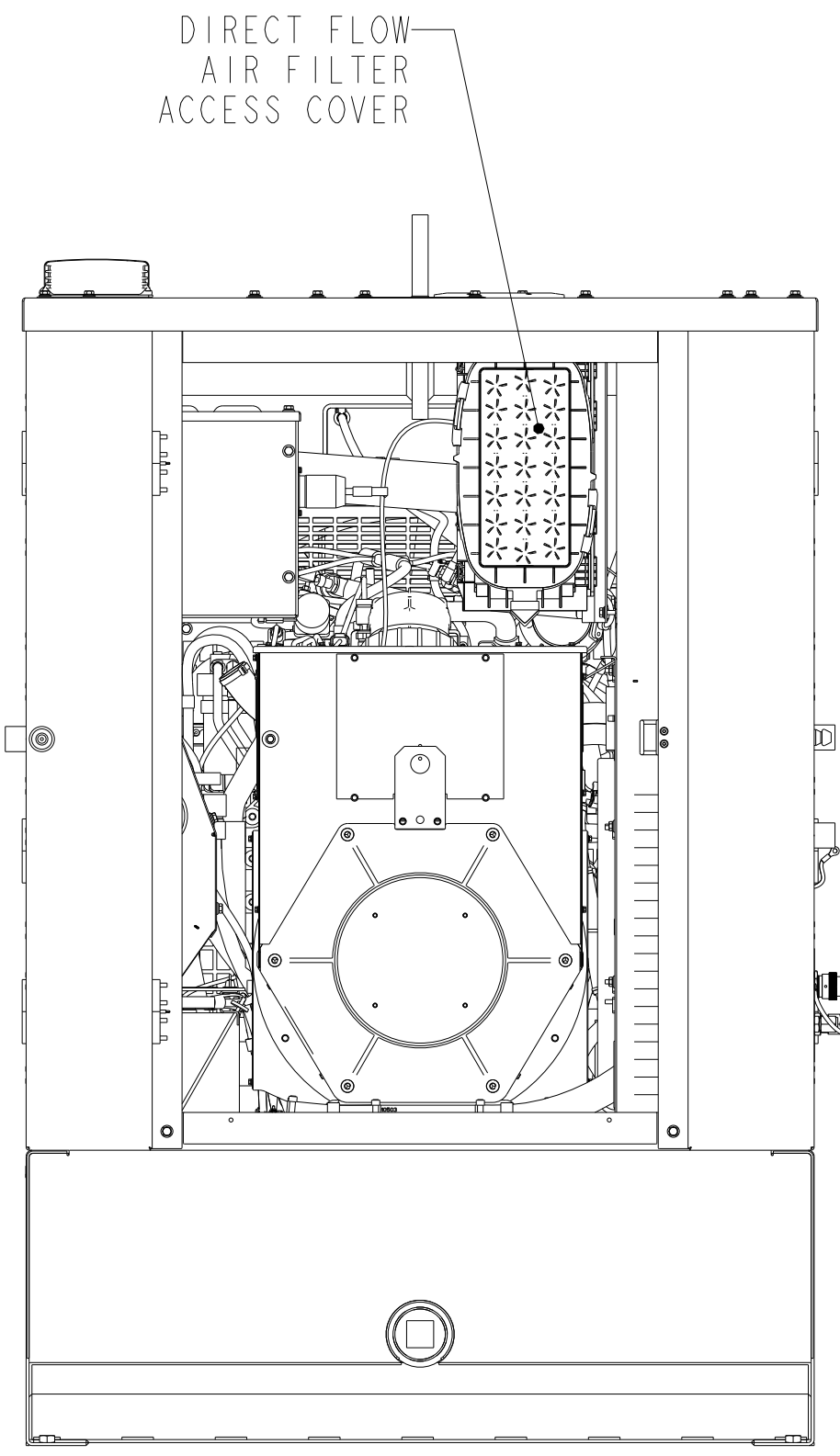
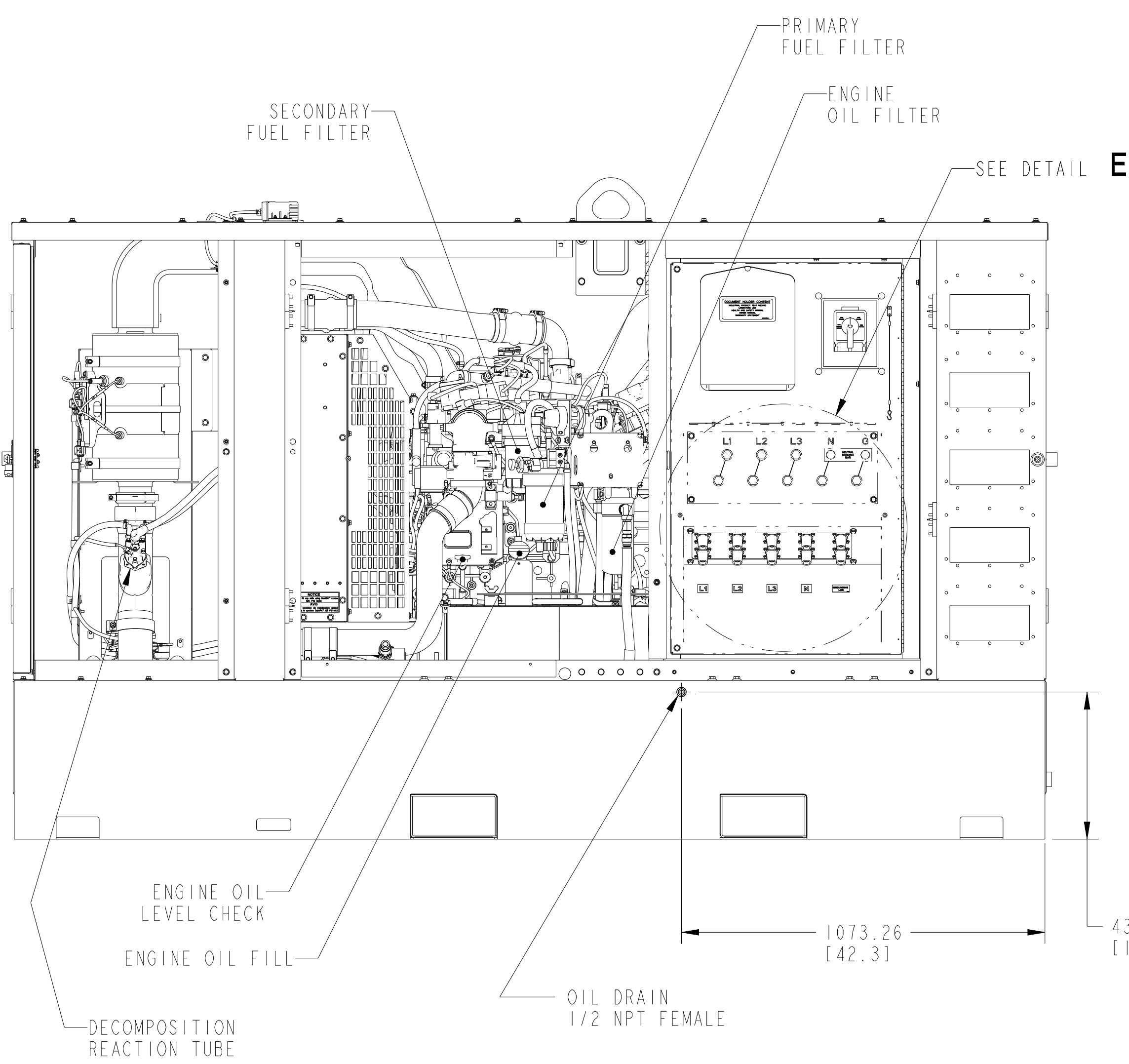
REL NO	REV NO	REVISION	DWN	CKD	APVD	DATE
ECO-180946	C	DMC	MJK	J_KRUSE	23OCT18



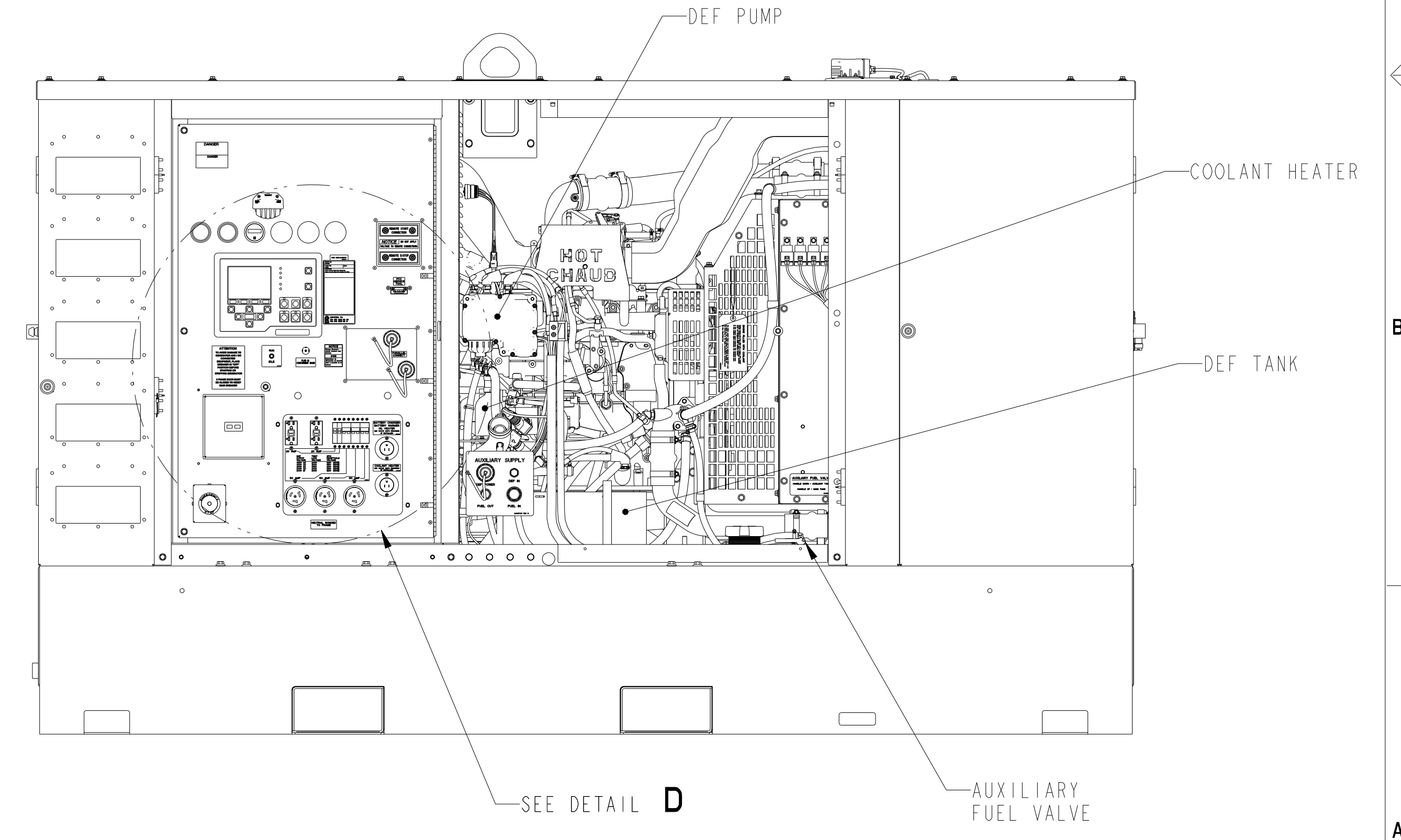
DETAIL F
SCALE 1/4
GPS FEATURE
(IF AVAILABLE)



VIEW SHOWN WITH ENCLOSURE ROOF REMOVED



VIEW SHOWN WITH SERVICE ACCESS DOOR REMOVED

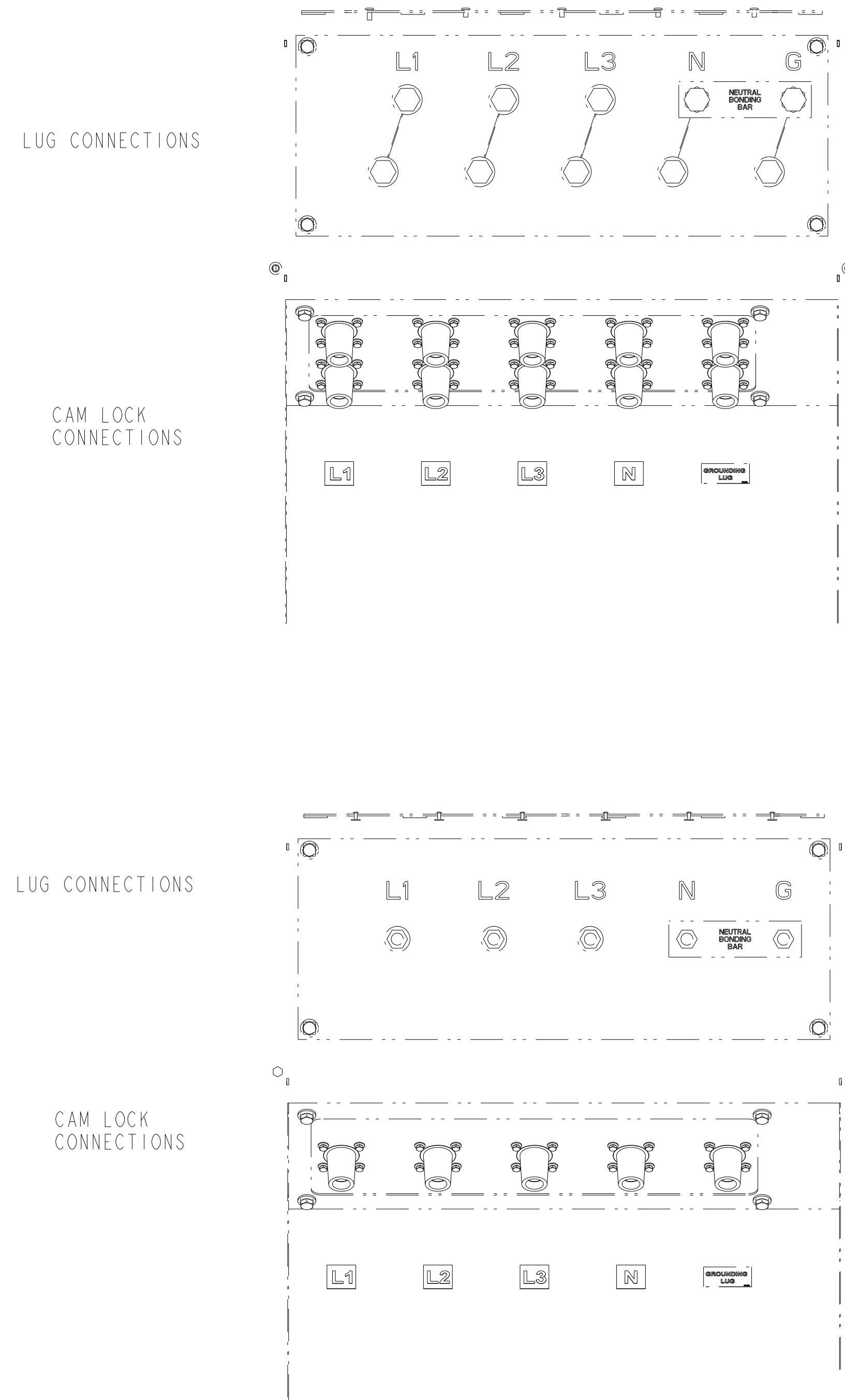


VIEW SHOWN WITH ENGINE SERVICE DOOR AND LIFTING POST REMOVED

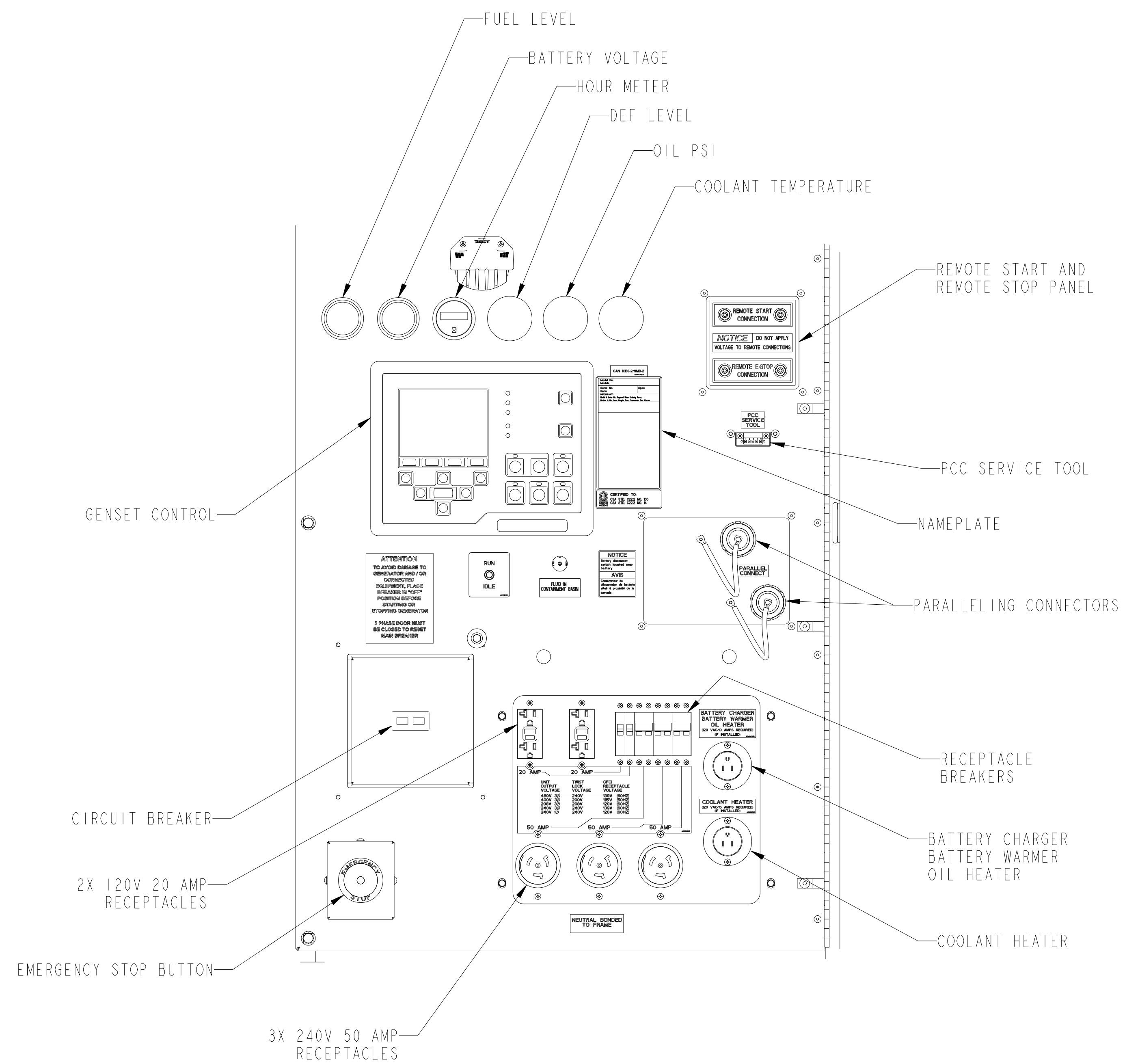
1073.26 [42.3]
434.54 [17.1]

UNLESS OTHERWISE SPECIFIED, ALL DIMENSIONS ARE IN MILLIMETERS		SIM TO	DWN Y_NICHT		CUMMINS POWER GENERATION	
DIM	TOL	DO NOT SCALE PRINT	CKD M_KELL		OUTLINE, GENSET	
X ± 1	0.00 - 4.99 +0.15/-0.08		APVD N_BAPAT	SITE CODE		
.X ± 0.8	5.00 - 9.99 +0.20/-0.10		DATE 01AUG17			
.XX ± 0.38	10.00 - 17.49 +0.25/-0.13	<small>THIS DOCUMENT (AND THE INFORMATION SHOWN THEREON) IS CONFIDENTIAL AND PROPRIETARY AND SHALL NOT BE DISCLOSED TO OTHERS IN ANY MANNER OR BY ANY MEANS, OR REPRODUCED IN ANY FORM, WITHOUT THE WRITTEN CONSENT OF CUMMINS INC.</small>				
ANG TOL ± 1.0°	SCALE 1/16					

REL NO	REV	NO	REVISION	DWN	CKD	APVD	DATE
ECO-180946	C	5	RMV NOTE HMI SERVICE TOOL. ZONE C2.	DMC	MJK	J_KRUSE	23OCT18



DETAIL E
SCALE 1/4
DISTRIBUTION PANEL
LOAD TERMINAL
CONNECTIONS
(IF AVAILABLE)



DETAIL D
SCALE 1/4
USER INTERFACE

UNLESS OTHERWISE SPECIFIED, ALL DIMENSIONS ARE IN MILLIMETERS		SIM TO		DWN Y_NICHT			CUMMINS POWER GENERATION	
DIM	TOL	HOLE	DO NOT SCALE PRINT	CKD M_KELL	APVD N_BAPAT		OUTLINE, GENSET	
X ± 1	0.00 - 4.99 +0.15/-0.08			DATE 01AUG17	SITE CODE			
.X ± 0.8	5.00 - 9.99 +0.20/-0.10			FOR INTERPRETATION OF DIMENSIONING AND TOLERANCING, SEE ASME Y14.5-2009	PGF			
.XX ± 0.38	10.00 - 17.49 +0.25/-0.13			FIRST USED ON C100D2RE	DWG SIZE D	A058E446		
ANG TOL ± 1.0°	SCALE 1/16	THIS DOCUMENT (AND THE INFORMATION SHOWN THEREON) IS CONFIDENTIAL AND PROPRIETARY AND SHALL NOT BE DISCLOSED TO OTHERS IN ANY COPY OR ELECTRONIC FORM. REPRODUCED BY ANY MEANS, OR USED FOR ANY PURPOSE WITHOUT WRITTEN CONSENT OF CUMMINS INC.		Revision: C		Sheet 4 of 4		

Part A058E446 C

Description	Legacy Name	External Regulations	Application Status	Release Phase Code	Security Classification	Alternates
OUTLINE,GENSET	A058E446	No External Regulations Apply	Production Only	Production	Internal use Only	

Part Specifications :A058E446 C

Name	Description	Legacy Name
A030B356	SPECIFICATION,MATERIAL	CES10903
A058E447	DRAWING,ENGINEERING	A058E447